

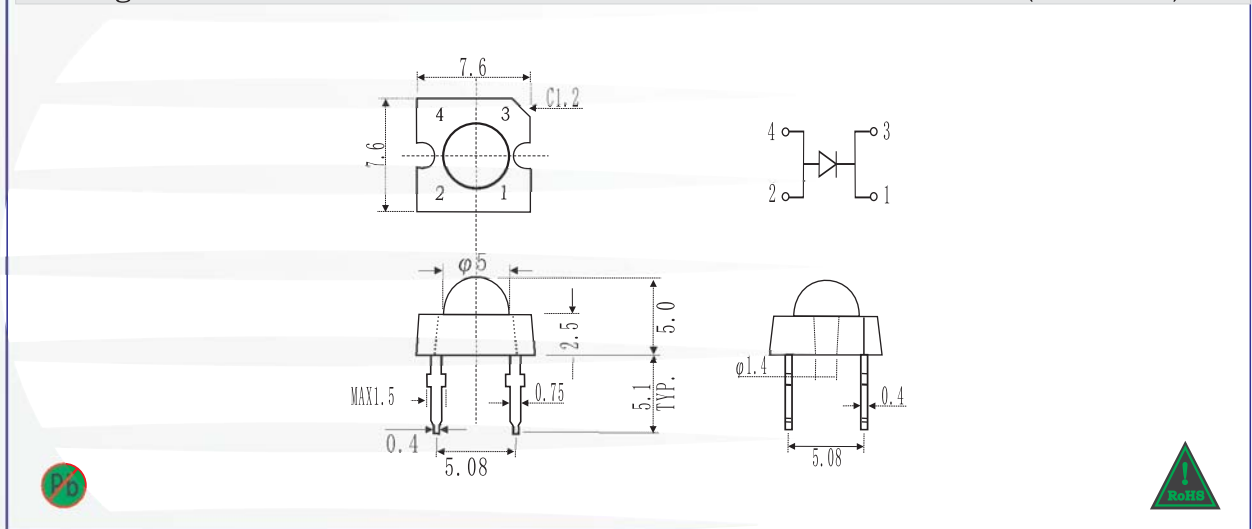


φ5mm Polygon LEDS

Part Number	Emitting Material	Wave Length λ <sub>D</sub> (nm)	Emitting Color	Lens Type	V <sub>F</sub> (v)	IV(mcd)	Viewing Angle 2θ <sub>1/2</sub> (°)
					Typ.	Typ.	
CL-765BUT	GaInN/GaN	470	Blue	Water Clear	3.4	3000	80
CL-765WUT	GaInN/GaN		White	Water Clear	3.4	3500	80
CL-765RST	GaAlInP/GaAs	630	Red	Water Clear	2.2	5500	80
CL-765RST-1	GaAlInP	625	Red	Water Clear	2.2	9500	80
CL-765RST-2	GaAlInP/GaAs	620	Red	Water Clear	2.2	6500	80
CL-765GUT	GaInN/GaN	515	Pure Green	Water Clear	3.4	3500	80
CL-765GUT-1	GaInN/GaN	525	Pure Green	Water Clear	3.4	3000	80
CL-765YST	GaAlInP/GaAs	593	Yellow	Water Clear	2.1	5500	80
CL-765YST-1	GaAlInP	590	Yellow	Water Clear	2.1	6500	80
CL-765YST-2	GaAlInP/GaAs	591	Yellow	Water Clear	2.1	5000	80
CL-765BST	GaInN/GaN	470	Blue	Water Clear	3.4	2500	80
CL-765WST	GaInN/GaN		White	Water Clear	3.4	3000	80

Package Outlines

(unit:mm)



Remark: 1. All dimensions are in millimeters, tolerance is 0.25mm unless otherwise noted.  
 2. A bove specification is measured by CHANGLI's test instrument and may be changed without notice.  
 3. Supplier will reserve authority on material change for above specification.